

Schneidring-Verschraubung Typ 200

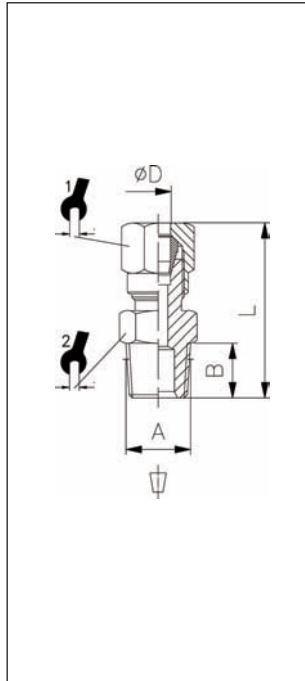
Compression Fittings Type 200
Raccordi a ogivia biconia Serie 200
Raccords á bague biconique Série 200

Typ 200



Material: Messing vernickelt
Gewinde: konisch und zylindrisch
 nach DIN 3852 Teil 1 und Teil 2
Größen: G1/8-G1/2
Ausführung: nach DIN 2353
Medium: Wasser, Öl, Druckluft, Hydraulik-
 Medien, pneumatische und öl-
 dynamische Betriebsstoffe,
 andere Medien auf Anfrage
Temperatur: max. 150°C
max. Druck: 60 bar

Material: brass nickel plated
Threads: taper and parallel
 according to DIN 3852
 Part 1 and Part 2
Sizes: M5-G1"
Media: air, water, oil, steam etc.
 pneumatic and hydraulic
 operating materials, other
 media on request
Temperature: max. 150 °C
max. Pressure: 60bar



201

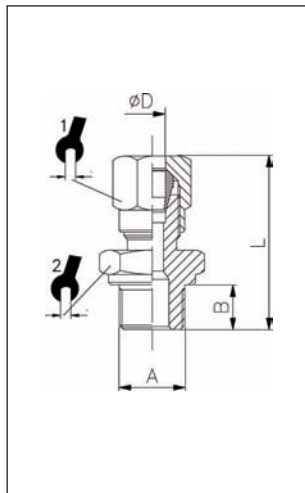
gerade Einschraubverschraubung konisch

Taper straight male adaptor

Raccordo diritto maschio conico

Piquage mâle droit conique

	ØD	A	B	L			
94801	4	R ¹ / ₈	8,0	27,0	10	10	100
94802	6	R ¹ / ₈	8,0	28,0	12	12	100
94803	6	R ¹ / ₄	11,0	32,5	12	14	100
94804	8	R ¹ / ₈	7,5	29,5	14	12	100
94805	8	R ¹ / ₄	11,0	33,0	14	14	100
94806	8	R ³ / ₈	11,5	33,0	14	17	100
94807	10	R ¹ / ₄	11,0	37,5	19	17	100
94808	10	R ³ / ₈	11,5	38,0	19	17	100
94809	10	R ¹ / ₂	14,0	40,5	19	22	50
94810	12	R ³ / ₈	11,5	39,0	22	19	50
94811	12	R ¹ / ₂	14,0	41,0	22	22	50
94821	14	R ¹ / ₂	14,0	44,5	27	22	50
94812	15	R ¹ / ₂	14,0	44,5	27	22	50
94832	16	R ¹ / ₂	14,0	45,0	30	24	25
94833	18	R ¹ / ₂	14,0	45,0	32	26	25



201/Z

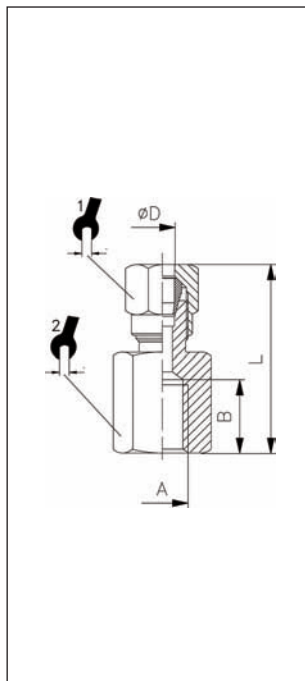
gerade Einschraubverschraubung zylindrisch

Parallel straight male adaptor

Raccordo diritto maschio cilindrico

Piquage mâle droit cylindrique

	ØD	A	B	L			
94901	4	G ¹ / ₈	6,0	25,0	10	14	100
94902	6	G ¹ / ₈	6,0	25,0	12	13	100
94907	6	G ¹ / ₄	8,0	29,5	12	17	100
94903	8	G ¹ / ₈	6,0	27,5	14	14	100
94904	8	G ¹ / ₄	8,0	30,0	14	17	50
94905	10	G ¹ / ₄	8,0	34,5	19	17	50
94906	10	G ³ / ₈	9,0	36,0	19	19	50
94908	12	G ³ / ₈	10,0	4,0	22	22	50
94910	12	G ¹ / ₂	12,0	43,0	22	22	50



202

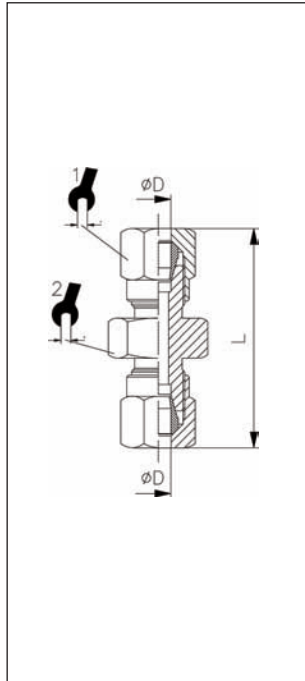
Manometerverschraubung

Female straight adaptor

Raccordo diriotto femmina

Piquage droit femelle

	ØD	A	B	L			
95000	4	G ¹ / ₈	8,0	24,5	10	14	100
95001	6	G ¹ / ₈	8,0	26,0	12	14	100
95002	6	G ¹ / ₄	11,0	30,5	12	17	100
95003	8	G ¹ / ₈	8,0	26,5	14	14	100
95004	8	G ¹ / ₄	11,0	31,0	14	17	100
95005	8	G ³ / ₈	11,5	31,0	14	20	100
95006	10	G ¹ / ₄	11,0	35,5	19	17	100
95007	10	G ³ / ₈	11,5	36,5	19	20	100
95008	12	G ³ / ₈	11,5	34,5	22	20	50
95009	12	G ¹ / ₂	14,0	37,0	22	24	50
95010	14	G ¹ / ₂	14,0	40,0	27	24	50
95011	15	G ¹ / ₂	14,0	38,0	27	24	50
95012	16	G ¹ / ₂	14,0	40,5	30	24	25
95013	18	G ¹ / ₂	14,0	40,0	31	26	25



203

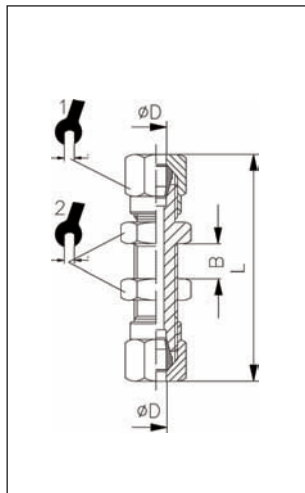
gerader Verbinder

Straight connector

Raccordo diritto intermedio

Union double

	ØD	L			
94601	4	34,0	10	10	100
94602	6	35,0	12	12	100
94603	8	37,0	14	14	100
94604	10	46,0	19	17	100
94605	12	46,0	22	19	50
94615	14	53,0	27	24	50
94606	15	50,0	27	24	50
94611	16	53,5	30	27	25
94612	18	53,0	32	27	25



204

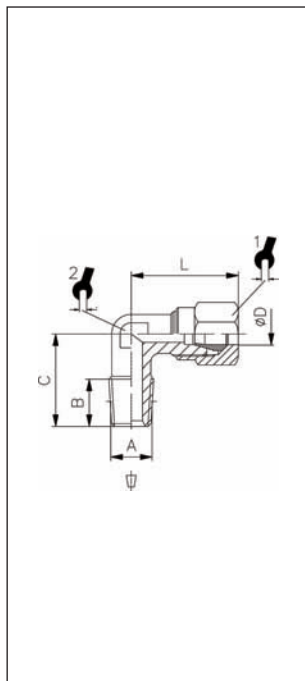
Schottverschraubung

Bulkhead adaptor

Raccordo passaparete

Traversée de cloison

	ØD	B _{max}	L			
94701	6	15,5	51,5	12	14	100
94702	8	16,5	55,5	14	16	100
94703	10	15,5	62,5	19	19	50
94704	12	16,0	64,5	22	22	50
94705	15	18,0	69,5	27	25	50



205

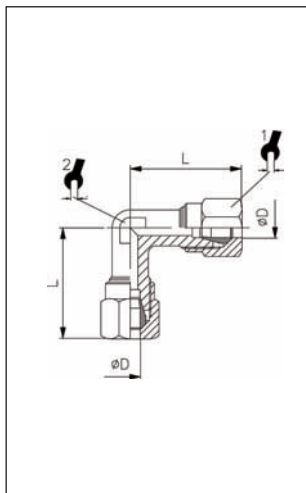
Winkel-Einschraubverschraubung konisch

Elbow male adaptor

Raccordo a L

Équerre mâle conique

	ØD	A	B	C	L			
92801	4	R ¹ / ₈	8,0	16,0	21,0	10	9	100
92802	6	R ¹ / ₈	8,0	16,0	23,0	12	9	100
92803	6	R ¹ / ₄	11,0	20,0	24,5	12	11	100
92804	8	R ¹ / ₈	8,0	17,0	24,0	14	11	100
92805	8	R ¹ / ₄	11,0	20,0	24,0	14	11	100
92806	8	R ³ / ₈	11,5	24,0	27,0	14	13	100
92807	10	R ¹ / ₄	11,0	23,5	32,0	19	13	100
92808	10	R ³ / ₈	11,5	24,0	32,0	19	13	100
92809	10	R ¹ / ₂	14,0	28,5	34,0	19	15	50
92810	12	R ³ / ₈	11,5	25,0	34,5	22	15	50
92811	12	R ¹ / ₂	14,0	28,5	34,5	22	15	50
92821	14	R ¹ / ₂	14,0	30,0	38,0	27	17	50
92812	15	R ¹ / ₂	14,0	30,0	38,0	27	17	50
92813	16	R ¹ / ₂	14,0	31,5	39,5	30	19	25
92814	18	R ¹ / ₂	14,0	34,0	44,0	32	22	25

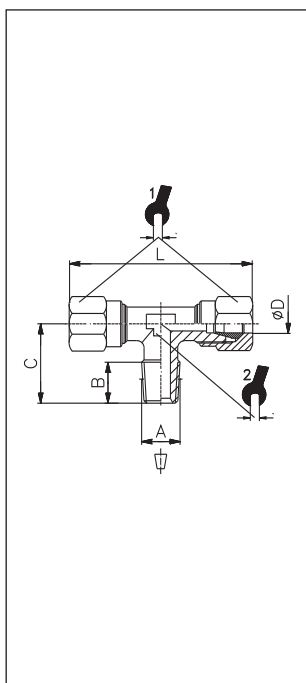


206

Winkelverbinder

Elbow connector
Raccordo ad L intermedio
Équerre égal

	ØD	L			
92601	4	21,0	10	9	100
92602	6	23,0	12	9	100
92603	8	24,0	14	11	100
92604	10	32,0	19	13	50
92605	12	34,5	22	15	50
92615	14	38,0	27	17	25
92606	15	38,0	27	17	25
92607	16	39,5	30	19	25
92608	18	44,0	32	22	25

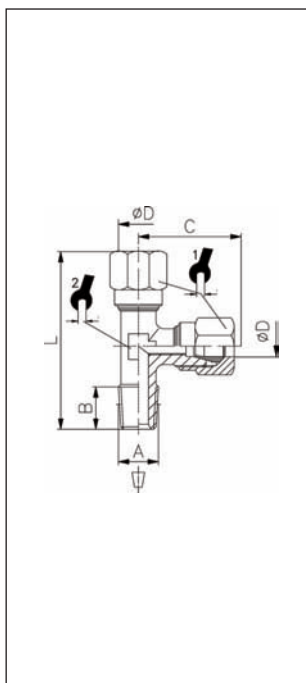


207

T-Einschraubverschraubung konisch

Centre male Tee adaptor
Raccordo a T centrale
Té centre mâle conique

	ØD	A	B	C	L			
92201	4	R ¹ / ₈	8,0	16,0	42,0	10	9	100
92202	6	R ¹ / ₈	8,0	16,0	46,0	12	9	100
92203	6	R ¹ / ₄	11,0	20,0	48,0	12	11	100
92204	8	R ¹ / ₈	8,0	17,0	48,0	14	11	100
92205	8	R ¹ / ₄	11,0	20,0	48,0	14	11	100
92206	8	R ³ / ₈	11,5	24,0	54,0	14	13	100
92207	10	R ¹ / ₄	11,0	23,5	64,0	19	13	100
92208	10	R ³ / ₈	11,5	24,0	64,0	19	13	100
92210	12	R ³ / ₈	11,5	25,5	69,0	22	15	50
92211	12	R ¹ / ₂	14,0	28,5	69,0	22	14	50
92221	14	R ¹ / ₂	14,0	30,0	76,0	27	17	50
92212	15	R ¹ / ₂	14,0	30,0	76,0	27	17	50
92213	16	R ¹ / ₂	14,0	31,5	79,0	30	19	50
92214	18	R ¹ / ₂	14,0	34,0	88,0	32	22	25

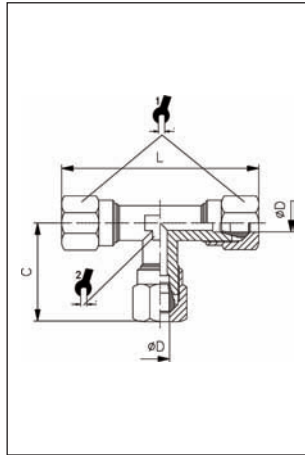


208

L-Einschraubverschraubung konisch

Off-set male adaptor
Raccordo a T laterale
Té d'équerre mâle conique

	ØD	A	B	C	L			
92300	4	R ¹ / ₈	8,0	21,0	37,0	10	9	100
92301	6	R ¹ / ₈	8,0	23,0	39,0	12	9	100
92302	6	R ¹ / ₄	11,0	24,5	44,5	12	11	100
92303	8	R ¹ / ₈	8,0	24,0	41,0	14	11	100
92304	8	R ¹ / ₄	11,0	24,0	44,0	14	12	100
92305	8	R ³ / ₈	11,5	27,0	51,0	14	13	100
92306	10	R ¹ / ₄	11,0	32,0	55,5	19	13	100
92307	10	R ³ / ₈	11,5	32,0	56,0	19	13	100
92309	12	R ³ / ₈	11,5	34,5	60,0	22	15	50
92310	12	R ¹ / ₂	14,0	34,5	63,0	22	15	50
92314	14	R ¹ / ₂	14,0	38,0	68,0	27	17	50
92311	15	R ¹ / ₂	14,0	38,0	68,0	27	17	50
92312	16	R ¹ / ₂	14,0	39,5	71,0	30	19	50
92313	18	R ¹ / ₂	14,0	44,0	78,0	32	22	25

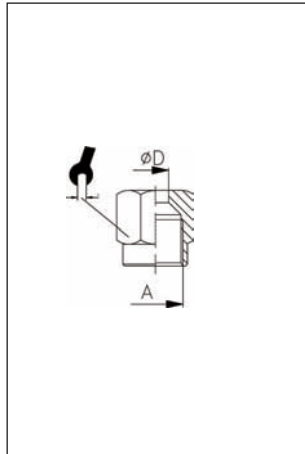


209

T-Verschraubung

Tee connector | Raccordo a T intermedio | Té égal

	ØD	C	L			
92001	4	21,0	42,0	10	9	50
92002	6	23,0	46,0	12	9	50
92003	8	24,0	48,0	14	11	50
92004	10	32,0	64,0	19	13	50
92005	12	34,5	69,0	22	15	50
92015	14	38,0	79,0	27	17	50
92006	15	38,0	76,0	27	17	50
92007	16	39,5	79,0	30	19	25
92008	18	44,0	88,0	32	22	25

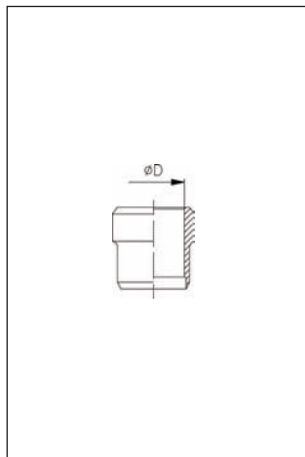


210

Überwurfmutter

Nut | Dado | Écrou de serrage

	ØD	A		
96801	4	M8x1	10	100
96802	6	M10x1	12	100
96803	8	M12x1	14	100
96804	10	M16x1,5	19	100
96805	12	M18x1,5	22	100
96806	14	M22x1,5	27	100
96807	15	M22x1,5	27	100
96808	16	M24x1,5	30	50
96809	18	M26x1,5	32	50

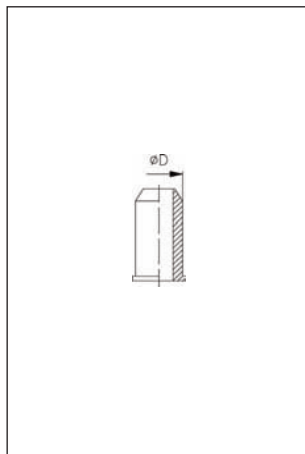


211

Schneidring

Ogive | Ogiva | Bague d'étanchéité

	ØD	
97401	4	100
97402	6	100
97403	8	100
97404	10	100
97405	12	100
97406	14	100
97407	15	100
97408	16	50
97409	18	50

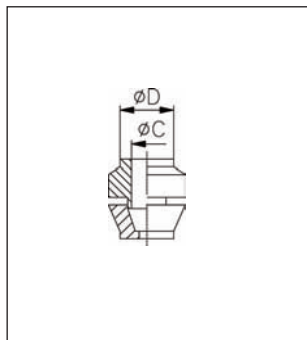


212

Verstärkungshülse

Support bush | Boccia di supporto | Fourrure

	ØD1	
97506	2	100
97501	4	100
97502	6	100
97503	8	100
97508	9	100
97504	10	100
97510	11	100
97505	12	100
97509	18	100
97507	14	100

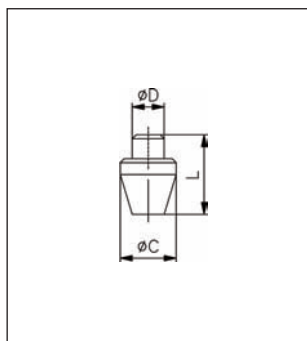


213

Reduzierung 2-teilig

Reduction
Riduzione
Reduction

	ØD	ØC		
97511	6	4		100
97512	8	6		100
97513	12	8		100

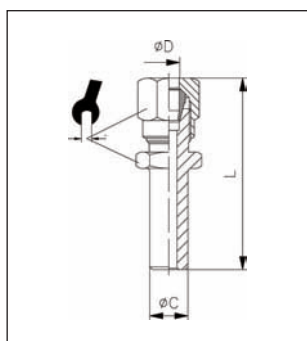


214

Stopfen

Plug
Tappo
Bouchon

	ØD	ØC	L		
97520	4	6	7,5		100
97521	6	8	10,0		100

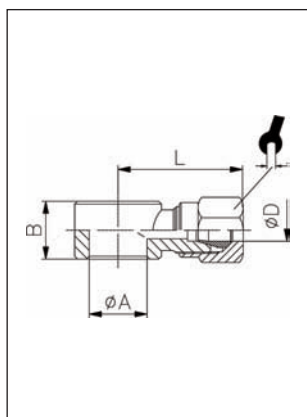


215

Adapter

Adaptor
Adattatore
Adaptateur

	ØD	ØC	L		
97533	6	8	34,0	12	100
97534	8	10	42,0	12	100

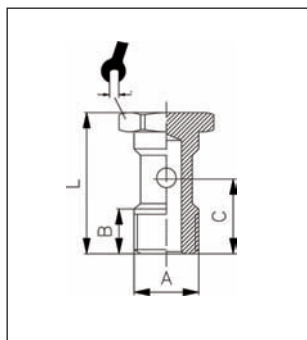


216

Ringstück

Single banjo body
Anello orientabile
Corps de banjo simple

	ØD	G	A	B	L		
95101	4	G ¹ / ₈	10,0	14,5	24,5	10	100
95102	6	G ¹ / ₈	10,0	14,5	26,5	12	100
95103	6	G ¹ / ₄	13,3	14,5	28,5	12	100
95104	8	G ¹ / ₈	10,0	14,5	25,5	14	100
95105	8	G ¹ / ₄	13,3	14,5	28,0	14	100



407

Hohlschraube 1-fach

Banjo single stern
Asta singola
Vis 1 étage

	A	B	C	L		
14102	G ¹ / ₈	7,5	15,0	28,0	14	50
14103	G ¹ / ₄	9,0	16,5	29,5	17	50
14104	G ³ / ₈	13,5	17,5	31,5	24	25